

STEREO POWER AMPLIFIER



BASIC M1D

INSTRUCTION MANUAL

KENWOOD

©PRINTED IN JAPAN B50-6941-00(K,P,U,M,UE,X,E)(T)
88/12 11 10 9 8 7 6 5 4 3 2 1 87/12 11 10 9 8 7 6

Rear panel safety precautions

<p>CAUTION RISK OF ELECTRIC SHOCK DO NOT OPEN</p>	<p>CAUTION: TO REDUCE THE RISK OF ELECTRIC SHOCK, DO NOT REMOVE COVER (OR BACK). NO USER-SERVICEABLE PARTS INSIDE. REFER SERVICING TO QUALIFIED SERVICE PERSONNEL.</p>
	<p>The lightning flash with arrowhead symbol, within an equilateral triangle, is intended to alert the user to the presence of uninsulated "dangerous voltage" within the product's enclosure that may be of sufficient magnitude to constitute a risk of electric shock to persons.</p>
	<p>The exclamation point within an equilateral triangle is intended to alert the user to the presence of important operating and maintenance (servicing) instructions in the literature accompanying the appliance.</p>

Before applying power

For your records

Record the serial number, found on the back of the unit, in the spaces designated on the warranty card, and in the space provided below. Refer to the model and serial numbers whenever you call upon your dealer for information or service on this product.

Model _____ Serial number _____

Unpacking

Unpack the unit carefully and make sure that all accessories are put aside so they will not be lost.

Examine the unit for any possibility of shipping damage. If your unit is damaged or fails to operate, notify your dealer immediately. If your unit was shipped to you directly, notify the shipping company without delay. Only the consignee (the person or company receiving the unit) can file a claim against the carrier for shipping damage.

We recommend that you retain the original carton and packing materials for use should you transport or ship the unit in the future.

Important!

U.S.A., Canada, Australia and Europe

Units shipped to the U.S.A. and Canada are designed for operation on 120 V AC only.

Units shipped to Australia are designed for operation on 240 V AC only.

Units shipped to Europe are designed for operation on 220 V AC only.

These units are not equipped with an AC voltage selector switch and the discussion of such a switch that follows, should be disregarded.

All other countries

Units shipped to countries other than the above countries are equipped with an AC voltage selector switch on the rear panel. Refer to the following paragraph for the proper setting of this switch.

AC voltage selection

This unit operates on 120 volts or 220 - 240 volts AC. The AC voltage selector switch on the rear panel is set to the voltage that prevails in the area to which the unit is shipped. Before connecting the power cord to your AC outlet, make sure that the setting position of this switch matches your line voltage. If not, it must be set to your voltage in accordance with the following direction.

Note:

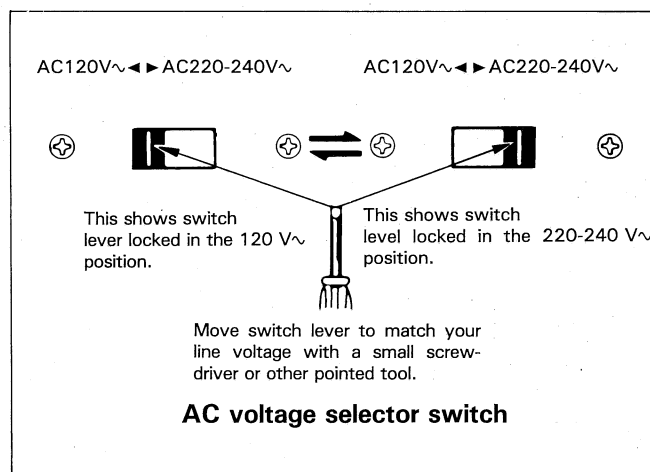
Our warranty does not cover damage caused by excessive line voltage due to improper setting of the AC voltage selector switch.

WARNING:

TO PREVENT FIRE OR ELECTRIC SHOCK, DO NOT EXPOSE THIS APPLIANCE TO RAIN OR MOISTURE.

Safety precaution for AC plug (For U.S.A. and Canada)

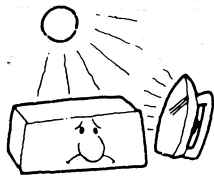
CAUTION: TO PREVENT ELECTRIC SHOCK DO NOT USE THIS (POLARIZED) PLUG WITH AN EXTENSION CORD, RECEPTACLE OR OTHER OUTLET UNLESS THE BLADES CAN BE FULLY INSERTED TO PREVENT BLADE EXPOSURE.



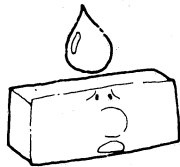
Before operation

Notes on installation

Do not place the unit in a place which is exposed to direct sunlight, near a heating appliance, etc.



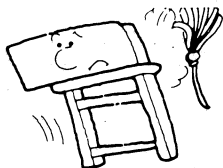
Do not place a vase containing water, makeup, etc. on the unit. Do not use in a humid place.



To maintain good ventilation, do not put records or a table-cloth on the unit. Place the unit at least 10 cm away from the walls.

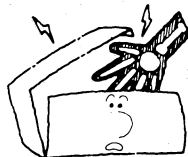


Choose a location that is relatively free from vibration or excessive dust.



Safety precautions

Never remove the case. If the internal parts are touched, accidentally, a serious electric shock might occur.

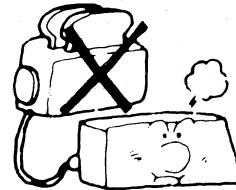


Never touch internal parts.

If a metal object, such as a hair pin or a needle, comes into contact with the power socket on the rear panel, a dangerous electric shock may result. For families with children, never permit children to put anything, especially metal, inside this unit.

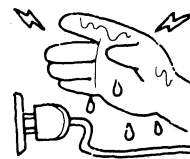


Do not connect other audio equipment with a power consumption larger than that specified to the AC outlet on the rear panel. Never connect other electrical appliances, such as an iron or toaster.



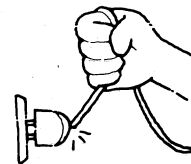
Never connect other electrical appliances.

Touching the power plug when your hands are wet may result in a serious electric shock.



Never touch with wet hands.

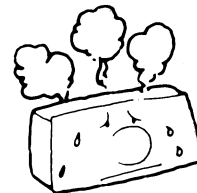
Never pull, bend or extend the power cord. This could damage the power cord, resulting in a broken cord or short-circuit.



Never pull or stretch the cord.

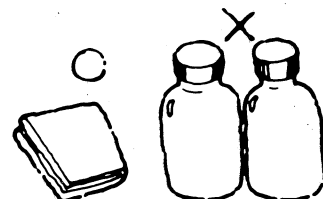
In case of abnormal smell

If an abnormal smell or smoke is detected, immediately turn the power OFF and pull out the power cord. Contact your dealer or nearest KENWOOD service station.



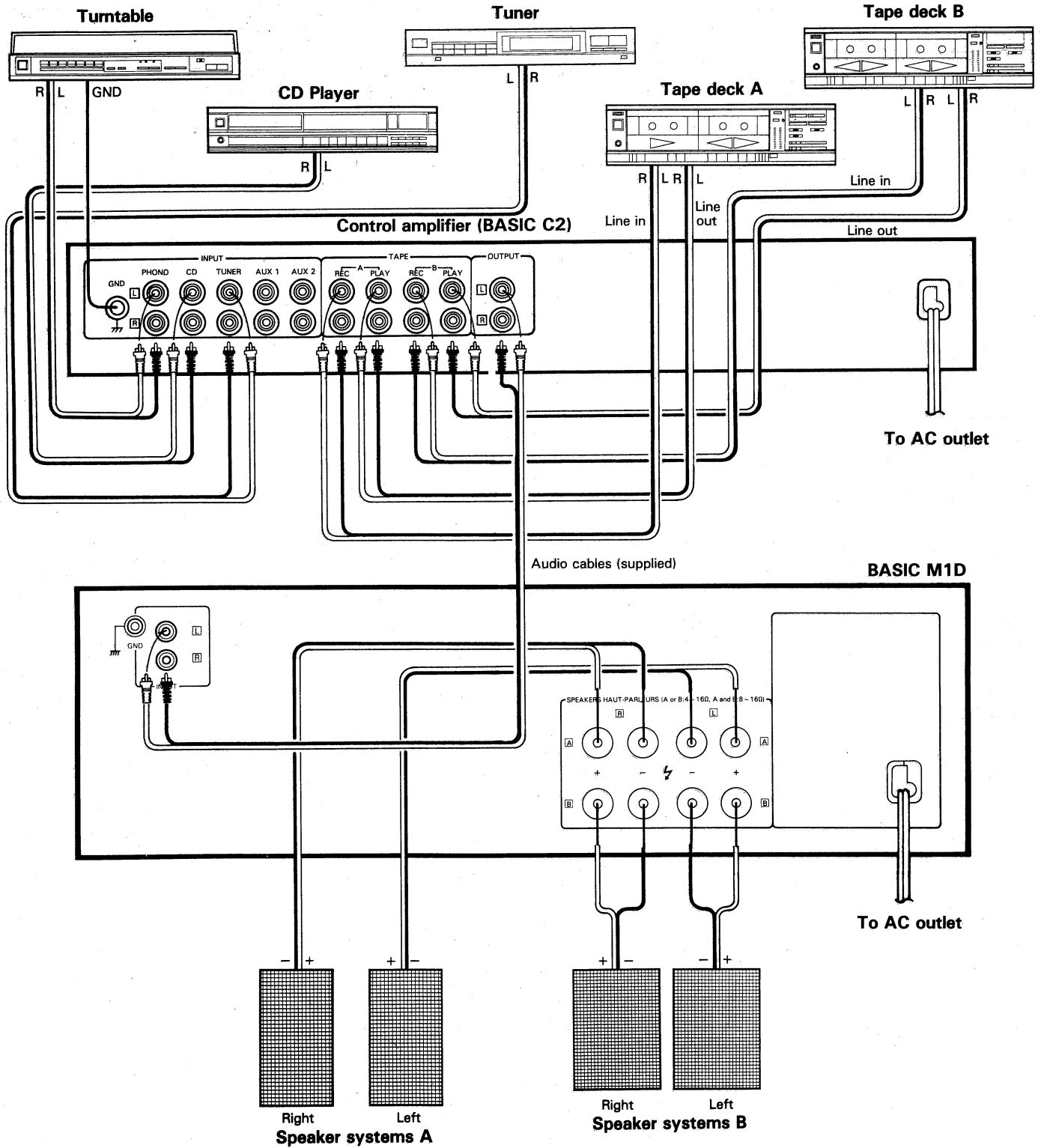
Cleaning

Do not use volatile solvents such as alcohol, paint thinner, gasoline, benzine, etc. to clean the cabinet. Use a silicone cloth or a clean dry cloth.



Silicone cloth Thinner Benzine

System connections



Speakers

This amplifier has two pairs of speaker terminals, SPEAKERS A and SPEAKERS B.

Connecting one speaker system

Connect speakers rated at 4 ohms or more to the SPEAKERS A terminals.

Connecting two speaker systems

To connect an additional pair of speakers, use the B terminals. In this case, each speaker must be rated at 8 ohms or more.

Connecting an ordinary speaker system

Connect the left speaker to the LEFT SPEAKERS A or B terminals and the right speaker to the RIGHT SPEAKERS A or B terminals.

At this time, be sure to connect the (+) terminals of the speakers to the (+) terminals of the amplifier and (-) terminals in the same manner respectively.

Note:

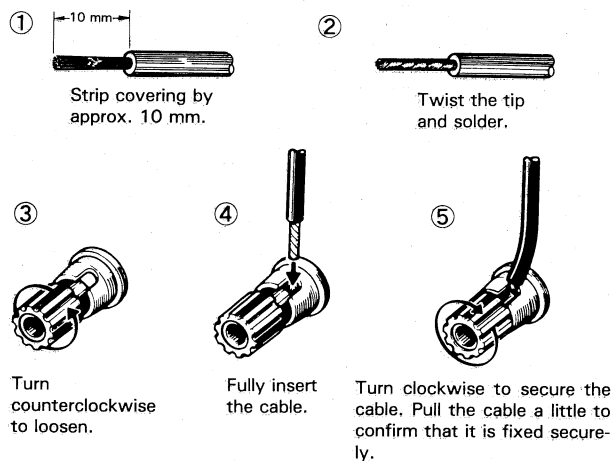
The tips of the connected wires should not touch adjacent terminals.

Thermal protector

This unit employs the thermal protector circuits which automatically shuts off the power or operates muting if the temperature inside the amplifier becomes unusually high. The protector automatically restores the power when the temperature drops to the normal level and the cause of the unusual temperature rise must be removed before the power is restored. Unusually high temperatures may be caused in poor ventilation condition or by a shorted output circuit.

Warning!

Particular attention must be given to making good electrical contact at the amplifier-output and speaker terminals. Poor or loose connections can cause sparking or burning at the terminals because of the very high power that the amplifier can deliver.



Connection of speaker cable

Ground

For maximum safety and minimum interference connect the GND terminal to a good earth ground if practicable. A good earth ground is a cold water pipe or a metal stake driven into moist earth. However, never use a gas pipe for this purpose.

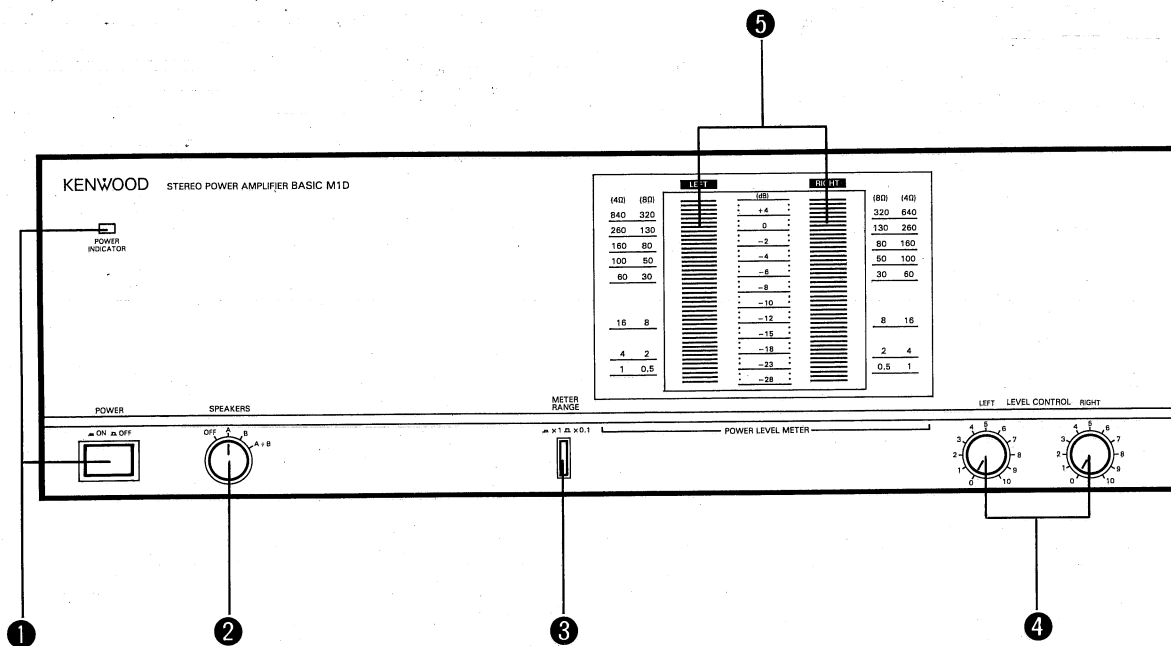
INPUT jacks

Connect these jacks and the OUTPUT jacks of a control amplifier with audio cables equipped with pin plugs on each end.

Note:

To prevent possible trouble, always disconnect the power plug or turn off the POWER switch before connecting or disconnecting the audio cables.

Controls and indicators



1 POWER switch/indicator (POWER INDICATOR)

Press the switch to turn power ON. The indicator will flash for a few seconds then it will light indicating the normal operation mode. Pressing the switch again turns the power OFF.

2 SPEAKERS switch

OFF — No sound will be heard from the speakers.

A — Activates speakers connected to the SPEAKERS A terminals on the rear panel.

B — Activates speakers connected to the SPEAKERS B terminals on the rear panel.

A+B — Activates speakers connected to the SPEAKERS A and B terminals simultaneously.

3 METER RANGE switch

When this switch is set to () X0.1 position, the POWER indicator reading becomes a tenfold conversion.

When this switch is set to () X1 position, the POWER indicator reading becomes normal scale.

4 LEVEL CONTROLS (LEFT/RIGHT)

Used to adjust the sound level of the speakers. The knob marked LEFT is used to adjust the left channel sound level; the knob marked RIGHT is used to adjust the right channel sound level.

As the knobs are set to 10, a standard sensitivity of 1 V is obtained. For normal use, set to 10. If the residual noise is distinctive or the pre-amplifier output is large, turn the knobs counterclockwise.

Using these controls, the balance between right and left channel sound level can be adjusted. For total sound level adjustment, use the pre-amplifier volume control.

5 POWER LEVEL METER (LEFT/RIGHT)

Indicate the right and left output power in watts.

In case of difficulty

If your unit should not perform as expected, consult the table below to see if the problem can be corrected before seeking help from your dealer or service representative.

AM, FM, PHONO or Tape playback	Cause	Remedy
Power on but no sound.	<ol style="list-style-type: none">1. Power cord not plugged in.2. Poor connection at wall outlet. Power outlet inactive.3. LEVEL CONTROLS set fully counterclockwise.	<ol style="list-style-type: none">1. Check plug contact.2. Check outlet using a lamp or other appliance (outlet may be controlled by a wall switch).3. Check the control amplifier connected.
No sound from left or right.	<ol style="list-style-type: none">1. Speaker cords disconnected.2. Speakers switched off.3. No input selector switch is in use.	<ol style="list-style-type: none">1. Check speaker connections.2. Check speaker switch.3. Check the control amplifier connected.
Sound from left or right, but not both.	<ol style="list-style-type: none">1. Poor speaker connections.2. Defective speaker.3. BALANCE set to one extreme or the other.	<ol style="list-style-type: none">1. Check connections at both ends of speaker cord.2. Reverse speakers, if problem stays with speaker have speaker checked.3. Check the control amplifier connected.

Specifications

Power Output

125 watts per channel minimum RMS, both channels driven, at 8 ohms from 20 Hz to 20,000 Hz with no more than 0.008% total harmonic distortion

Maximum Continuous

Power Output (DIN)

at 1 kHz into 4 ohms 150 W

Dynamic Power

at 1 kHz into 4 ohms 240 W

Damping Factor

at 50 Hz into 8 ohms 1,000

Power Bandwidth

at 0.08% T.H.D. into 8 ohms .. 10 Hz to 75 kHz

Total Harmonic Distortion

20 Hz to 20 kHz 0.008% at rated power into
8 ohms

1 kHz 0.0008% at rated power into
8 ohms

Frequency Response

10 Hz to 100 kHz,

+0, -3 dB

Signal-to-Noise Ratio

120 dB

Input Sensitivity/Impedance

LINE IN 1 V/47 kohms

General

Power Consumption

4.5 A (U.S.A. and Canada)

270 W (Others)

Dimensions

W 440 mm (17-5/16")

H 143 mm (5-5/8")

D 338 mm (13-5/16")

Weight (net)

9.8 kg (21.6 lb)

Note:

We follow a policy of continuous advancements in developments. For this reason specifications may be changed without notice.